

ACE

FORKLIFTS

Forklifts

Capacity : 6, 8, 10 tons

High Performance & rugged
Forklift Trucks.

ACE **INDIA'S NO. 1**
MOBILE & TOWER CRANE CO.

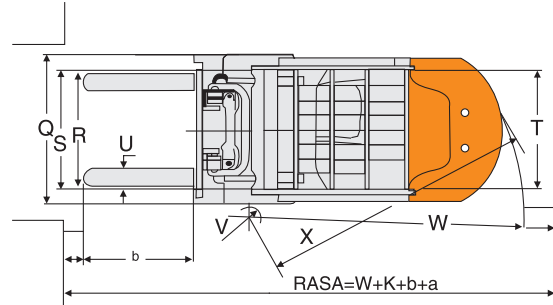
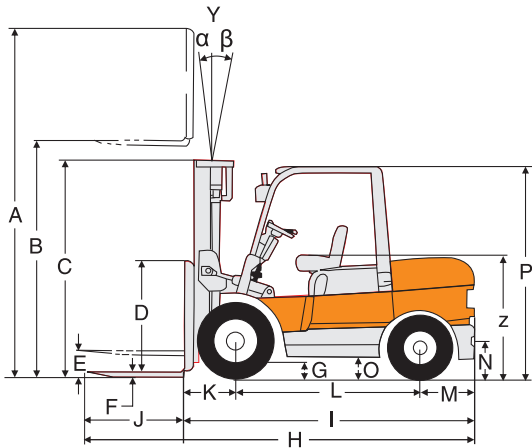


*Nothing beats an **ACE***



SPECIFICATIONS

Model	Unit	AF 60D	AF 80D	AF 100D		
Load Capacity	Kg	6000	8000	10000		
Power		Diesel				
Tyres	Front / Rear	Pneumatic				
Wheel (s)	Front / Rear	4 / 2				
Fork Height (std.)	mm	3000				
Fork Size (LxWxT)	mm	1220 x 150 x 60	1220 x 150 x 80	1220 x 175 x 80		
Tilt Angle $\alpha(\alpha-\beta)$	degree	6°-12°				
Overall length	mm	4770	4860	5390		
Overall Width	mm	1995	2025	2245		
Overall Lowered Height	mm	2500		2850		
Overall Raised Height (* With load backrest)	mm	4380*		4320		
Overhead Guard Clearance (from face of seat)	mm	1100		1120		
Turning Radius (Outside)	mm	3300	3400	3900		
Speed (s)	Travel (F/ R)	With/Without Load	Km/h	27	30	
		Lifting	With Load	mm/s	395	310
	Without Load		mm/s	420	350	380
	Lowering	With Load	mm/s	600		
		Without Load	mm/s	300		
Gradeability	With / Without Load	%	20	18		
Total Weight		Kg	9040	10495	12510	
Tyre Sizes		Front	8.25 - 15 - 14PR		9.00 - 20 - 14PR	
		Rear	8.25 - 15 - 14PR		9.00 - 20 - 14PR	
Wheel Base		mm	2250	2275	2800	
Tread		Front	1760	1795	1980	
		Rear	1720			
Brake (s)	Service		Hydraulic-Foot Pedal			
	Parking		Mechanical-Hand Lever			
Battery	Voltage / Capacity	V / AH	2 x 12 / 105			
Engine	Model		6102BG			
	Rated Horsepower	bhp/r.p.m	111/2500			
	Rated Torque	N.m./r.p.m	353 / 1650			
	Number of Cylinders		6			
	Displacement	Ltrs.	5.785			
	Fuel Tank Capacity	Ltrs.	140			
Transmission	Number of Speeds		2/2 Power Shift			
Operating Pressure	For Attachment	Kg / cm ²	200			



STANDARD DIMENSIONS

MODEL	AF 60D	AF 80D	AF 100D
A Overall Height fork raised (*with Load Back Rest))	4380*		4320
B Max fork Height	3000		
C Overall Height fork Lowered	2500		2850
D Backrest Height	1380		N/A
E Free Lift	150		210
F Fork Thickness	60		80
G Min clearance (Bottom of mast)	170		250
H Overall Length (with forks)	4770	4860	5390
I Overall Length (without forks)	3550	3740	4170
J Fork Length	1220		
K Fork Overhang	590		720
L Wheel base	2250	2275	2800
M Rear Overhang	733		740
N Coupler Height	450		520
O Ground clearance (Bottom of Frame)	240		330
P Overall Height (overhead guard)	2450		2585
Q Overall width	1995	2025	2245
R Lateral fork Adjustment	300-1835		400-2140
S Tread (Front)	1760		1910
T Tread (Rear)	1720		
U Fork width	150		175
V Inside Turning radius	1600		2100
W Outside Turning radius	3300	3400	3900
X Min. Intersecting aisle	3000	3040	3540
Y Tilting angles (α - β)	6°-12°		
Z Seat Height from Ground level	1225		1370



FORKLIFTS

Forklifts

STANDARD EQUIPMENT

- Wide view mast
- Load backrest for AF60D & AF80D
- Standard forks
- Power steering
- Retaining rollers
- Overhead guard
- Standard seat (Adjustable)
- Drawbar pin
- Air cleaner
- Parking brake lever
- Lift, tilt levers
- Dipstick for TC oil
- Return hydraulic filter
- TC oil filter
- Lift Circuit cut-off valve
- Overhead air intake
- Radiator reservoir
- Tilt adjustable steering wheel
- Turn indicator Lights
- Hour meter
- Water temperature meter
- Fuel meter
- Engine oil pressure warning indicator
- Electric charge indicator
- Halogen head lights
- Rear combination lights
- Rear view mirrors
- Reverse Buzzer
- Electric horn
- Neutral safety switch (TC)
- Rubber floor mat
- Tool kit
- Front dual wheels

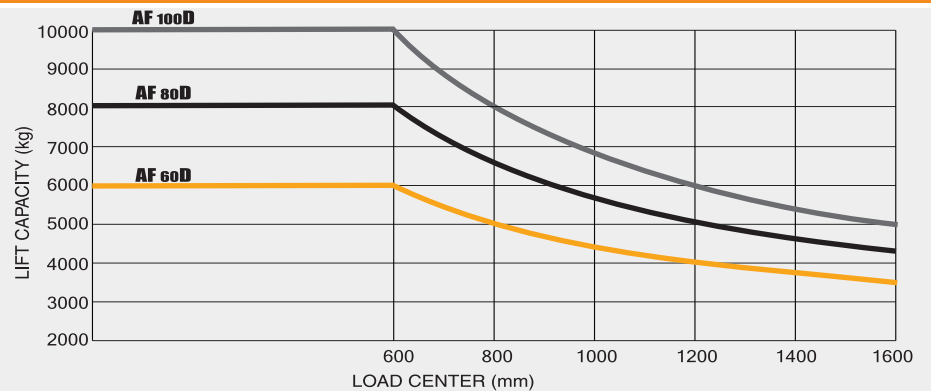
OPTIONAL EQUIPMENT

- Spark arrester
- Solid tyres
- Fire extinguisher

OPTIONAL ATTACHMENTS

- Different Mast type
- Fork extensions
- Fork positioner
- Crane attachment
- Ram attachment
- Container handling model
- Container stuffing model

LOAD CHART



Model AF80D (Empty Container Handler)

- Robust design to handle 3 high stacking (6 mtr lift height)
- Fitted with carriage and 2400 mm long forks for stability



Mobile Cranes (3-50 Tons)



Tractors



Mobile Tower Cranes



Crawler Cranes

Forklifts



Harvester Combine



Backhoe Loader



Vibratory Rollers



Tower Cranes



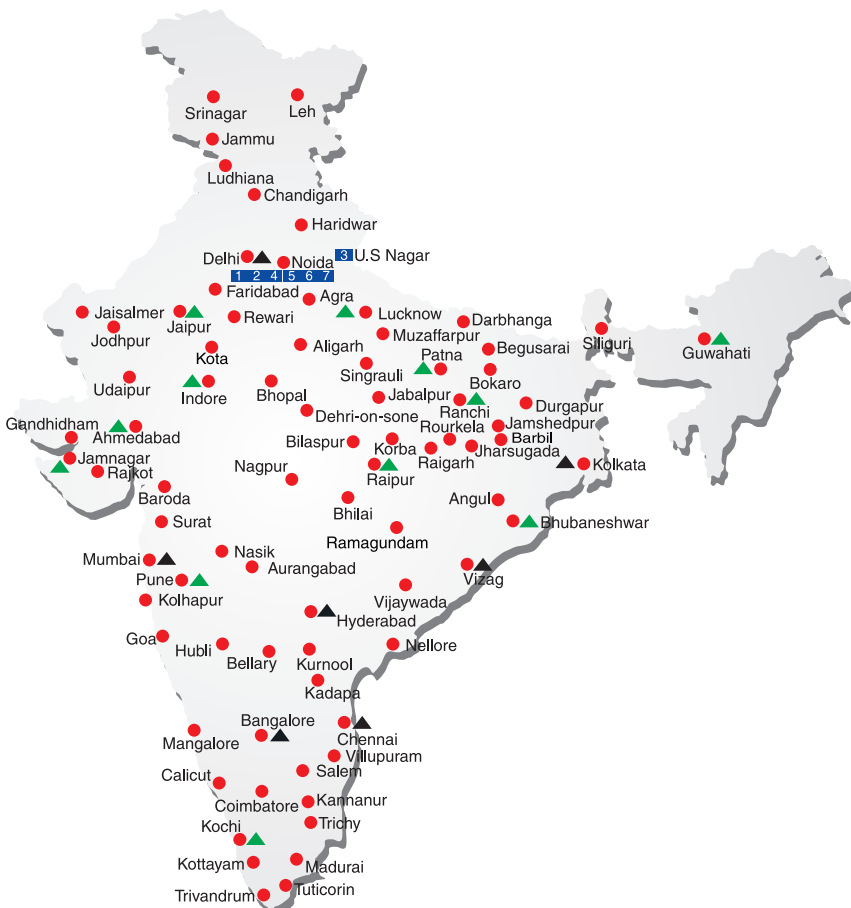
Motor Grader



Concrete Placing Booms



ALL INDIA NETWORK



SPARE PARTS & SERVICE

ACE has all India Sales and Service network operating out of all the major cities. These outlets are fully equipped to provide genuine spare parts and services by company trained engineers. These outlets are further supported by company officials based at Delhi, Mumbai, Chennai, Kolkatta, Ahmedabad, Surat, Pune, Jaipur, Chandigarh, Ranchi, Raipur, Indore, Bhubneshwar, Lucknow, Jamnagar, Hyderabad, Bangalore, Guwahati, Patna, Vizag & Kochi.

CUSTOMER CARE
TOLL FREE No
1800 1800 004

- WORKS
- ▲ REGIONAL OFFICES
- ▲ AREA OFFICES
- SALES AND SERVICE DEALERS



MARKETING H.Q.

4th Floor, Pinnacle, Surajkund, NCR-121009
Ph. : +91-129-4550000, Fax : +91-129-4550022
E-mail: marketing@ace-cranes.com, forklifts@ace-cranes.com

REGISTERED OFFICE

Dudhola Link Road, Dudhola, Palwal-121102, Haryana
Ph.: +91-1275-280111, Fax: +91-1275-280133
CIN : L74899HR1995PLC053860

MUMBAI OFFICE

31, "Kalpataru Court", Chembur, Mumbai - 400074
Ph.: +91-22-25206846, 25207070, Fax: +91-22-25207071
E-mail: acemumbai@ace-cranes.com

KOLKATA OFFICE

"Forma Towers" 84-A, Second Floor, AJC Bose Road,
Kolkata - 700014, Ph.: +91-33-65012050
E-mail: acekolkata@ace-cranes.com

CHENNAI OFFICE

1st Floor, "Alsa Regency", 165, Eldams Road,
Alwar Pet, Chennai - 600018
Ph.: +91-44-24314253, Fax: +91-44-24314252
E-mail: acechennai@ace-cranes.com



Action Construction Equipment Ltd.

Contact:



ACE reserves the right to alter any specifications without prior notice. Dimensions, weights & capacities mentioned herein are variable by ± 5%. Accessories if shown are not part of the Standard Equipment.



www.ace-cranes.com
AF60D-100D117